

CORRECTION

Please note the following correction to the Bear Creek Cabins pattern.

Refer to the illustrations below, correctly showing the vertical $2\frac{1}{2}$ " x $20\frac{1}{2}$ " sashing strip pieced between the tree blocks as directed in Making the Quilt Top, step 6.

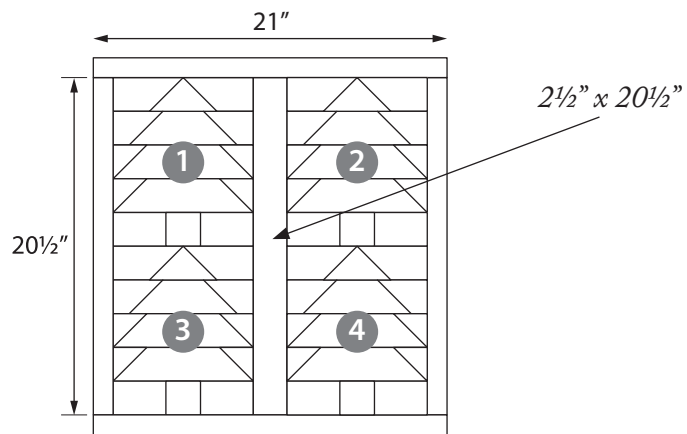
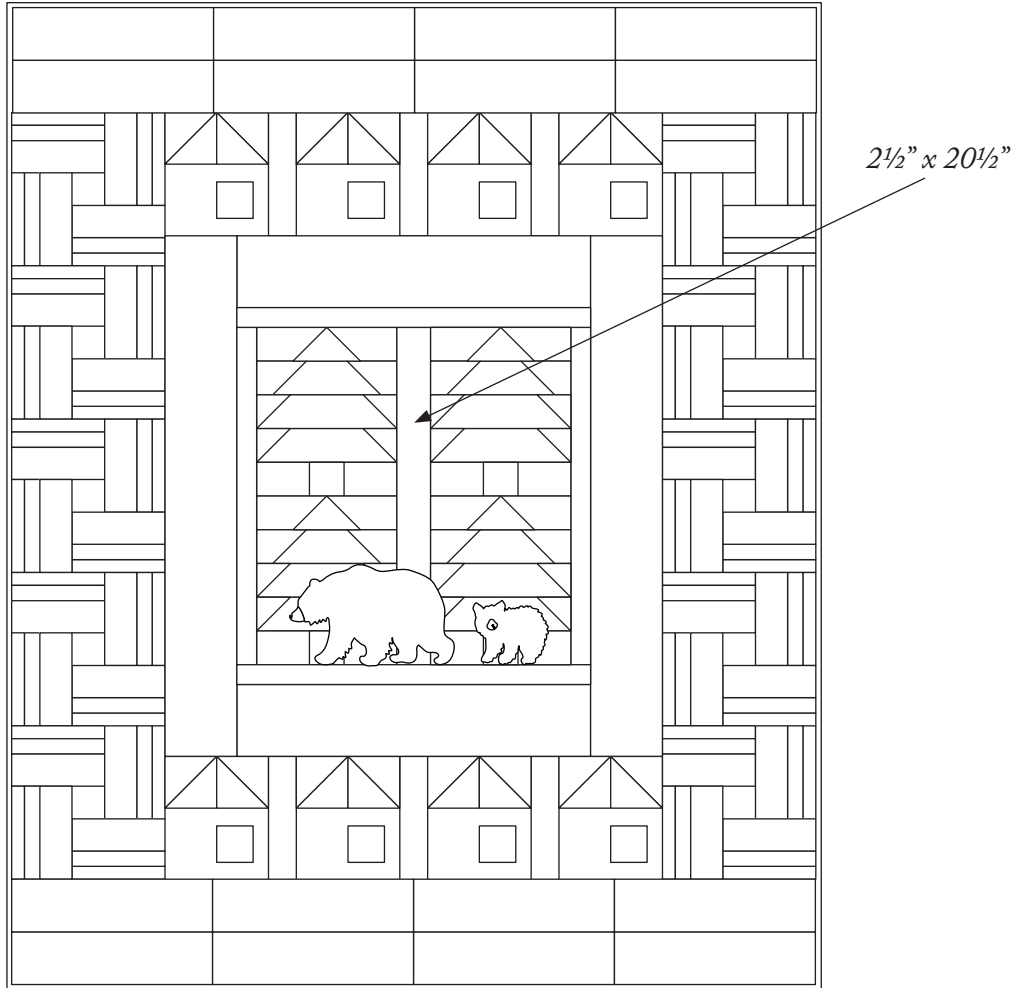


Diagram 3